

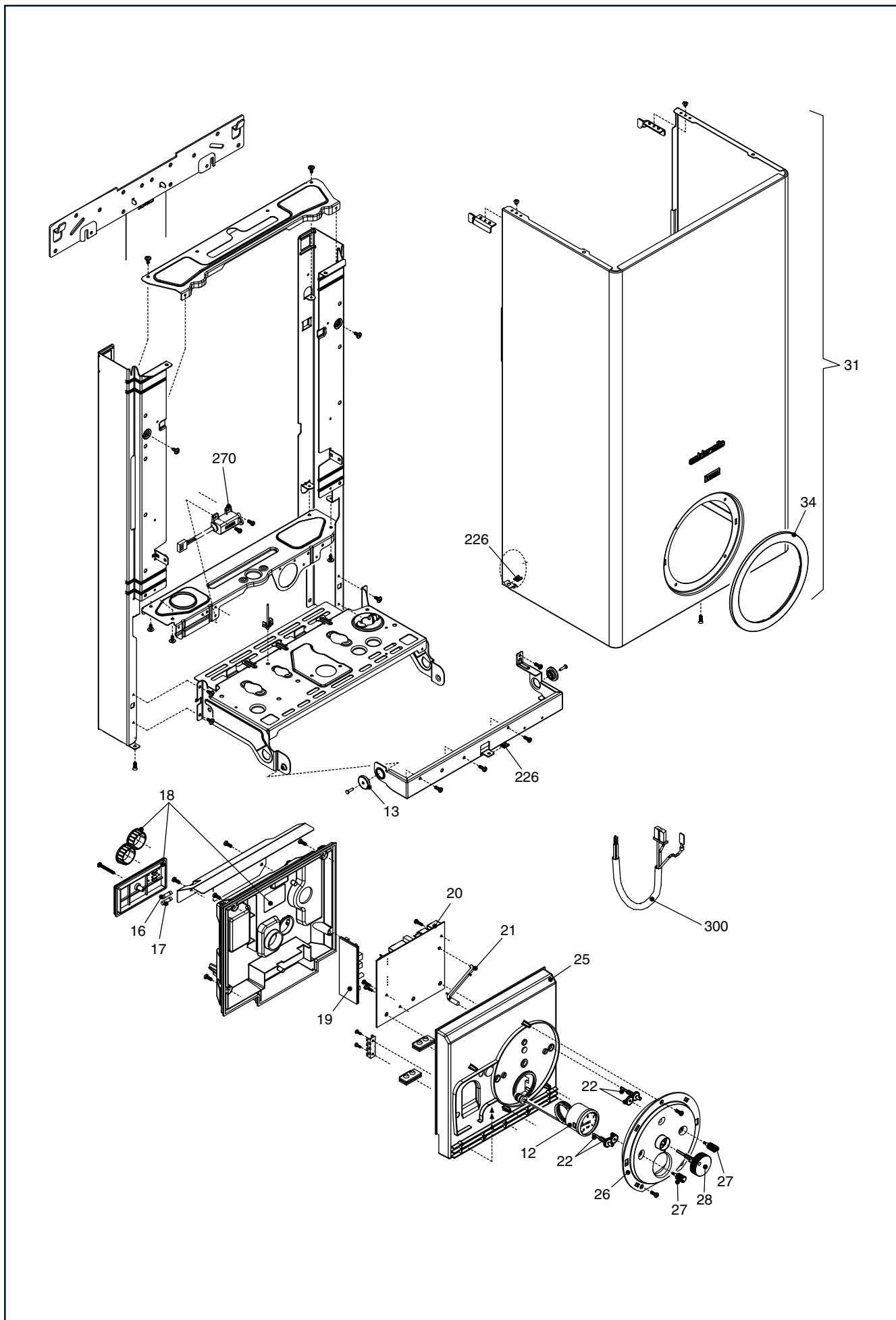


Wall hang boilers

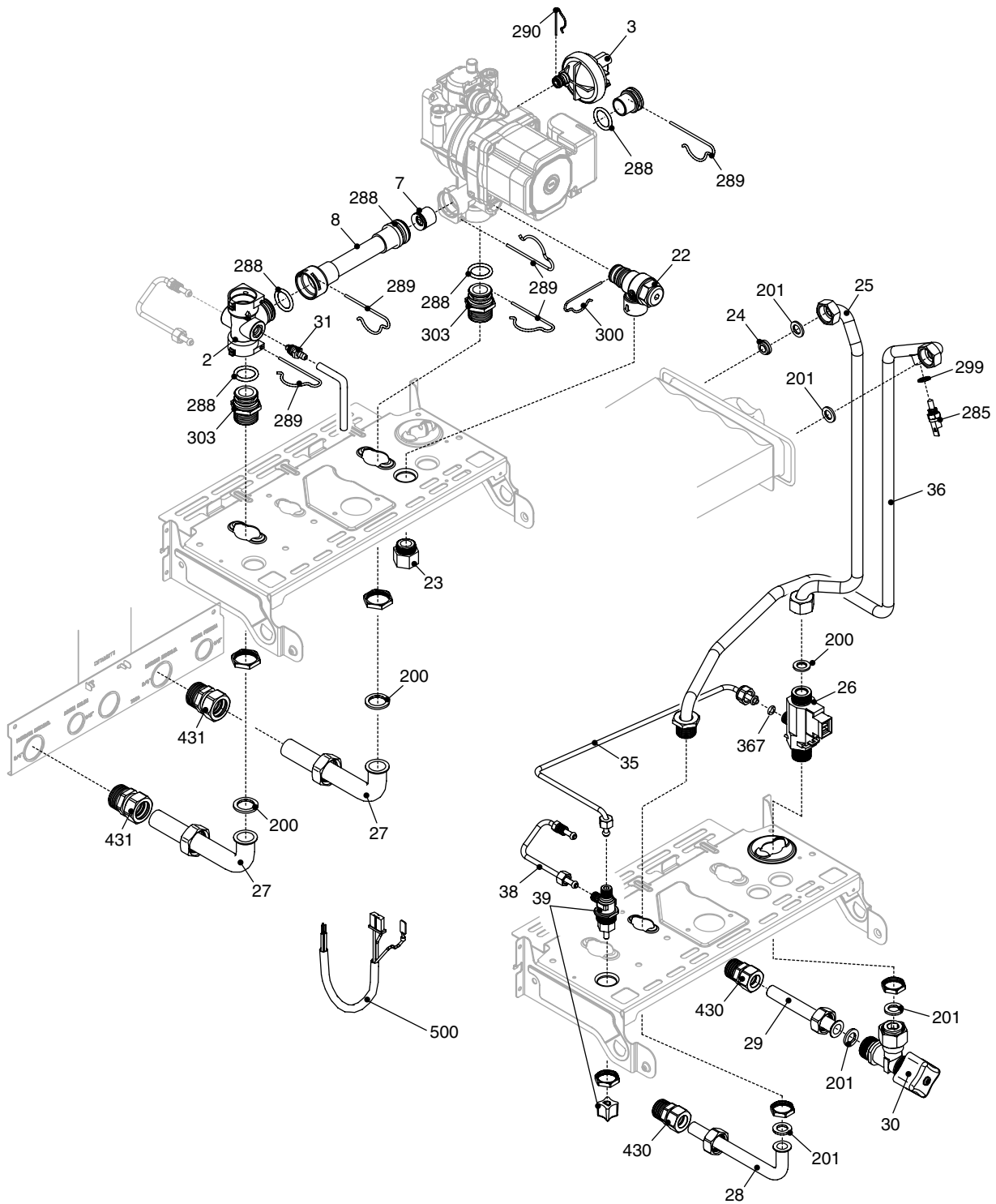
Caldariello N



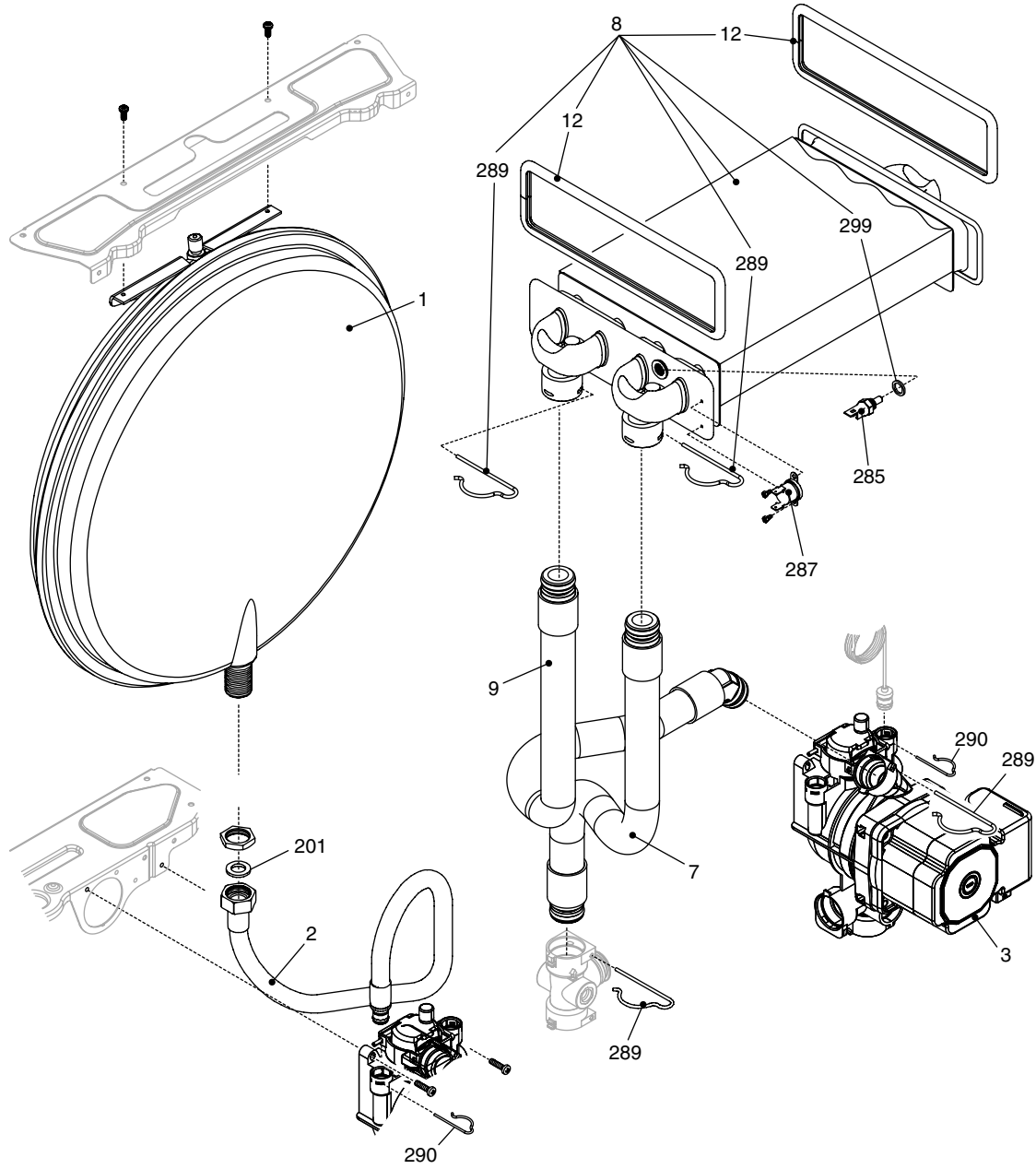
MODEL	PART NUMBER	
	NG	LPG
CALDARIELLO N 24 KI	1752823	1752825
CALDARIELLO N 24 KIS	1752813	1752815
CALDARIELLO N 28 KI	1752873	1752875
CALDARIELLO N 28 KIS	1752863	1752865



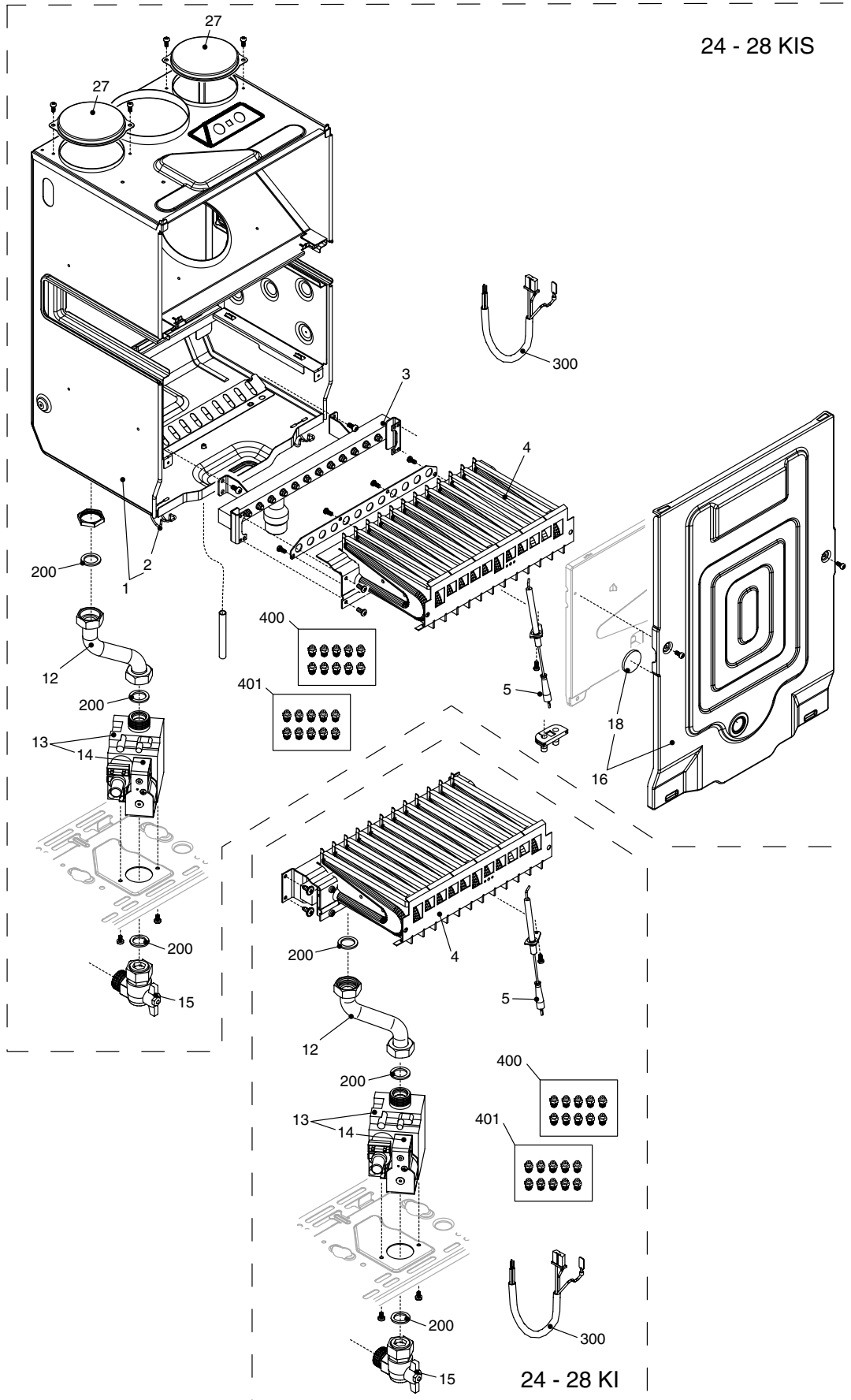
POS.	DESCRIPTION	24 KI	24 KIS	28 KI	28 KIS
12	Quick primer pressure gauge	R2564	R2564	R2564	R2564
13	Pin	R1863	R1863	R1863	R1863
16	Fuse	R8968	R8968	R8968	R8968
17	100 mA fuse	R1947	R1947	R1947	R1947
18	Cover	R10025029	R10025029	R10025029	R10025029
19	Ignition module	R10022174	R10022174	R10022174	R10022174
20	Printed Circuit Board	R10023537	R10023537	R10023537	R10023537
21	Led light guide	R10022417	R10022417	R10022417	R10022417
22	Gear wheel	R10022424	R10022424	R10022424	R10022424
25	Cover	R10023315	R10023315	R10023315	R10023315
26	Instrumental panel	R10023317	R10023317	R10023317	R10023317
27	Control knob	R10025425	R10025425	R10025425	R10025425
28	Control knob	R10025424	R10025424	R10025424	R10025424
31	Case	R01005320	R01005320	R01005322	R01005322
34	Fixing flange	R10025177	R10025177	R10025177	R10025177
226	Clip	R5128	R5128	R5128	R5128
270	Transformer	R10021272	R10021272	R10021272	R10021272
300	Wiring harness	R10021407	R10021407	R10021407	R10021407



POS.	DESCRIPTION	24 KI	24 KIS	28 KI	28 KIS
2	Connection	R10023988	R10023988	R10023988	R10023988
3	Pressure switch	R2044	R2044	R2044	R2044
7	Heating by-pass valve	R2047	R2047	R2047	R2047
8	Pipe	R2490	R2490	R2490	R2490
22	Safety valve	R2907	R2907	R2907	R2907
23	Connection	R10022499	R10022499	R10022499	R10022499
24	Blue flow governor	R8009	R8009	R9430	R9430
25	Pipe	R10020695	R10020695	R10025202	R10025202
26	DHW actuator	R10022752	R10022752	R10022752	R10022752
27	Pipe	R2576	R2576	R2576	R2576
28	Pipe	R2577	R2577	R2577	R2577
29	Pipe	R2578	R2578	R2578	R2578
30	water supply stop cock	R1888	R1888	R1888	R1888
31	Venting plugs kit	R01005137	R01005137	R01005137	R01005137
35	Filling pipe	R10022707	R10022707	R10022707	R10022707
36	Pipe	R10020696	R10020696	R10025203	R10025203
38	Pipe	R10022708	R10022708	R10022708	R10022708
39	Connection	R10022511	R10022511	R10022511	R10022511
200	Washer	R5023	R5023	R5023	R5023
201	Washer	R5026	R5026	R5026	R5026
285	NTC sensor	R8084	R8084	R8084	R8084
288	O-Ring	R6898	R6898	R6898	R6898
289	Clip	R2223	R2223	R2223	R2223
290	Clip	R2165	R2165	R2165	R2165
299	Washer	R10022726	R10022726	R10022726	R10022726
300	Clip	R2222	R2222	R2222	R2222
303	Connection	R2217	R2217	R2217	R2217
367	O-Ring	R8542	R8542	R8542	R8542
430	Connection	R10025089	R10025089	R10025089	R10025089
431	Connection	R10025090	R10025090	R10025090	R10025090
500	Wiring harness	R10025172	R10025172	R10025172	R10025172



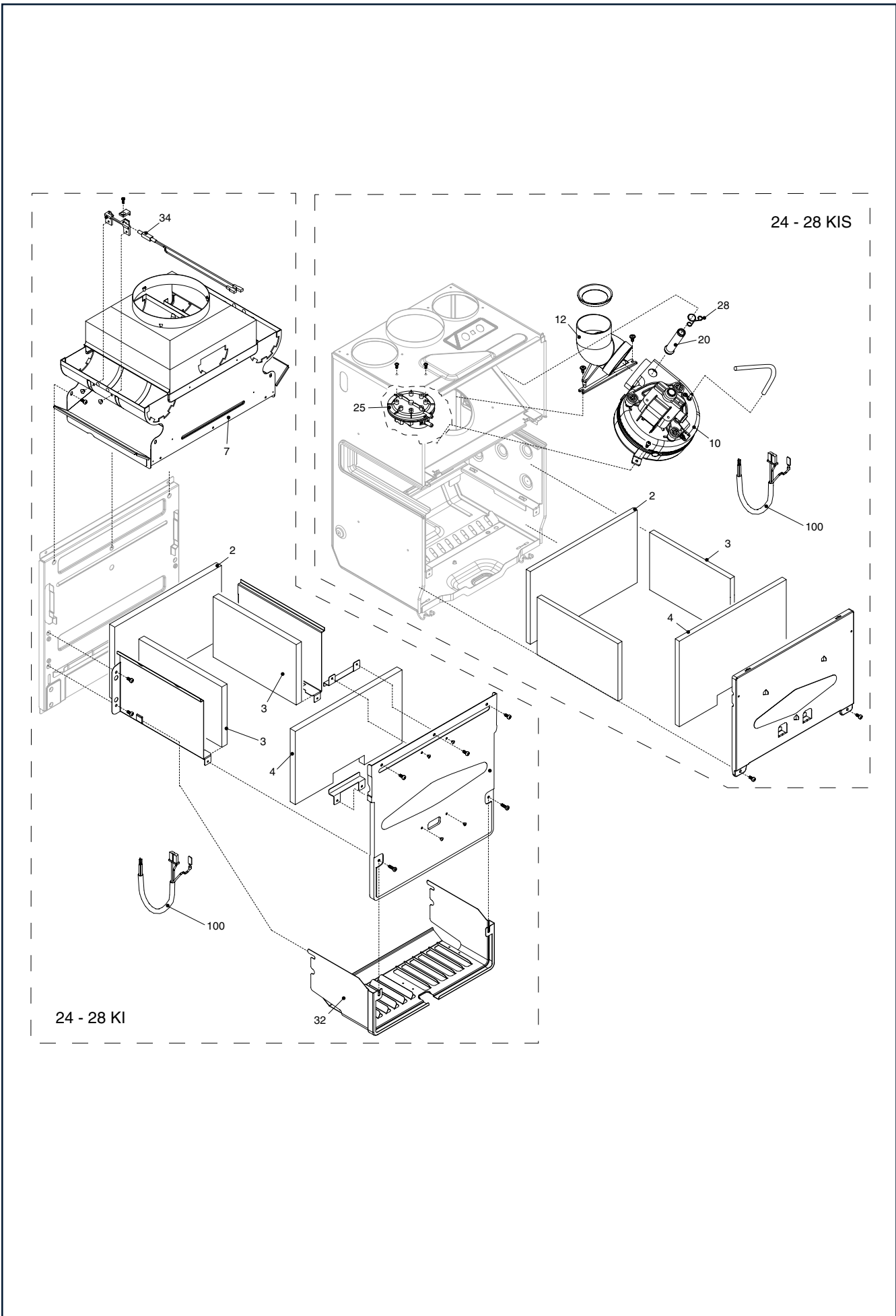
POS.	DESCRIPTION	24 KI	24 KIS	28 KI	28 KIS
1	Expansion vessel	R2204	R2204	R2204	R2204
2	Flexible pipe	R10023603	R10023603	R10023603	R10023603
3	Circulation pump	R10024624	R10024624	R10024624	R10024624
7	Pipe	R10022000	R10022000	R10022000	R10022000
8	Heat exchanger	R10021419	R10021419	R10023661	R10023661
9	Pipe	R10022003	R10022003	R10022004	R10022004
12	Washer	-	R2226	-	R2226
201	Washer 18,5 x 11	R5026	R5026	R5026	R5026
285	Sensor	R8484	R8484	R8484	R8484
287	Limit thermostat	R2258	R2258	R2258	R2258
289	Clip	R2223	R2223	R2223	R2223
290	Clip	R2165	R2165	R2165	R2165
299	Washer	R10022726	R10022726	R10022726	R10022726



BURNER

Drawing 4

POS.	DESCRIPTION	24 KI	24 KIS	28 KI	28 KIS
1	Air box bottom	-	R10024669	-	R10023904
2	Air box clip	-	R0442	-	R0442
3	main burner injector manifold	-	R10025271	-	R10023902
4	Burner	R10025275	R10025270	R10024267	R10023901
5	Spark electrode	R10025985	R10025985	R10025985	R10025985
12	Gas pipe	R10024246	R10024283	R10024246	R10024283
13	Gas valve	R10021021	R10021021	R10021021	R10021021
14	Gas valve solenoid	R10020838	R10020838	R10020838	R10020838
15	Gas cock	R2266	R2266	R2266	R2266
16	Air box cover	-	R10024779	-	R10023928
18	Glass	-	R10021558	-	R10021558
27	Hole cap	-	R10023805	-	R10023805
200	Washer	R5023	R5023	R5023	R5023
300	Wiring harness	R10026770	R10026770	R10026770	R10026770
400	N.G. conversion kit	R01005225	R01005225	R01005225	R01005225
401	LPG conversion kit	R01005217	R01005297	R01005217	R01005297



COMBUSTION COMPONENTS

Drawing 5

POS.	DESCRIPTION	24 KI	24 KIS	28 KI	28 KIS
2	Combustion chamber back panel	R5270	R2230	R5316	R10023909
3	Combustion chamber lateral panel	R2272	R2231	R2272	R2231
4	Combustion chamber front panel	R5269	R2232	R5315	R10023910
7	Hood assembly	R10024187	-	R10023879	-
10	Fan	-	R10020793	-	R10023907
12	Fan flue connection	-	R10021972	-	R10021972
20	Combustion analysis check tube	-	R10021973	-	R10021973
25	Pressure differential switch	-	R01005272	-	R10023908
28	Clip	-	R10020626	-	R10020626
32	Combustion chamber bottom	R10024609	-	R10024608	-
34	Fumes thermostat	R10021449	-	R10021188	-
100	Wiring harness	R10023846	R10025173	R10023846	R10025173



Riello reserve the right to change the specifications without prior notice.
Consumers' statutory rights are not affected.